



# SILLA ERGO SIT

cerantola 

## Evaluada como la mejor silla ergonómica

**Función multi-inteligente**  
**Ergonómica**  
**Certificada con estándares**  
**de calidad BIFMA**





cerantola 



cerantola 



cerantola 



cerantola 

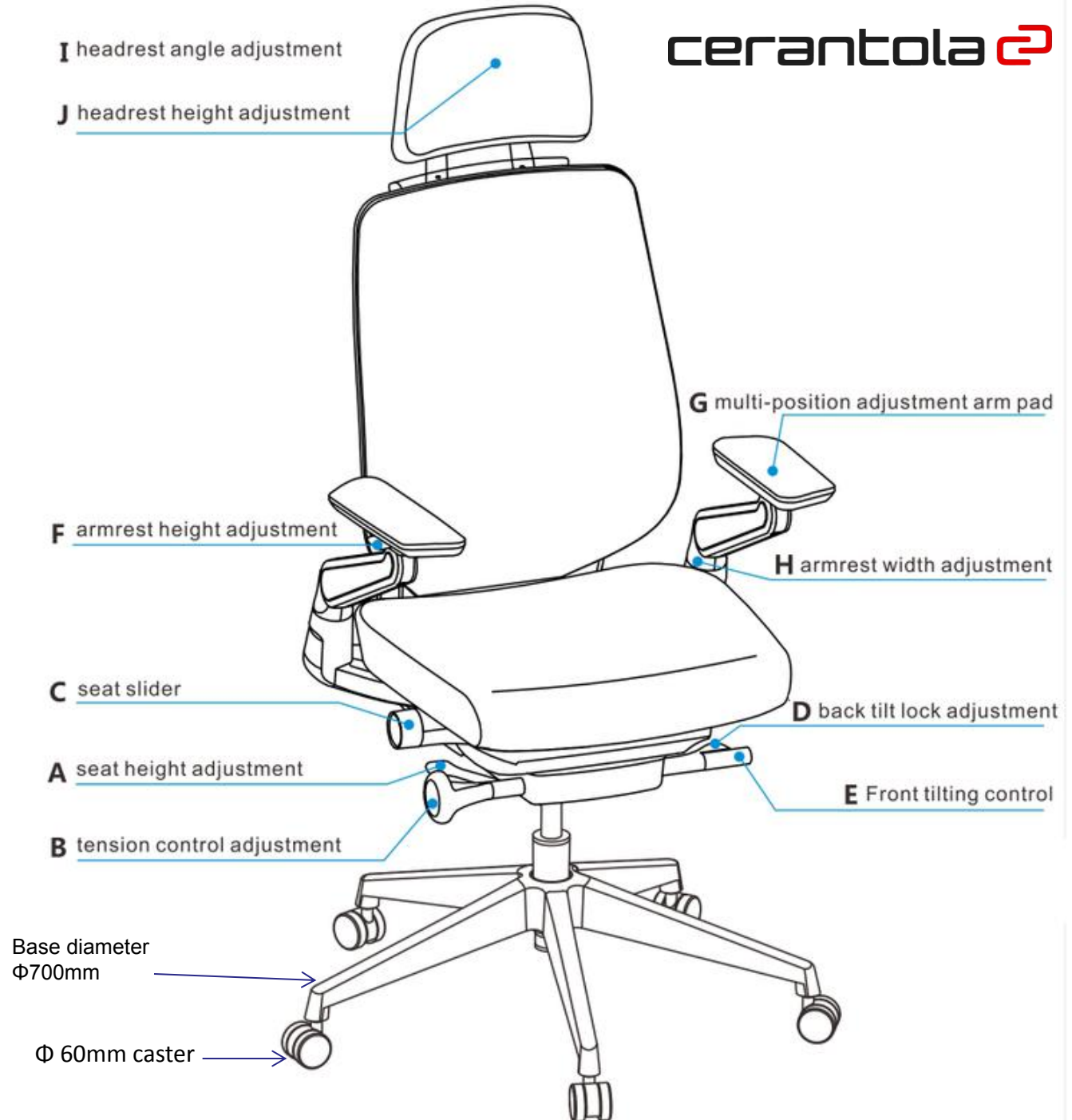


cerantola 

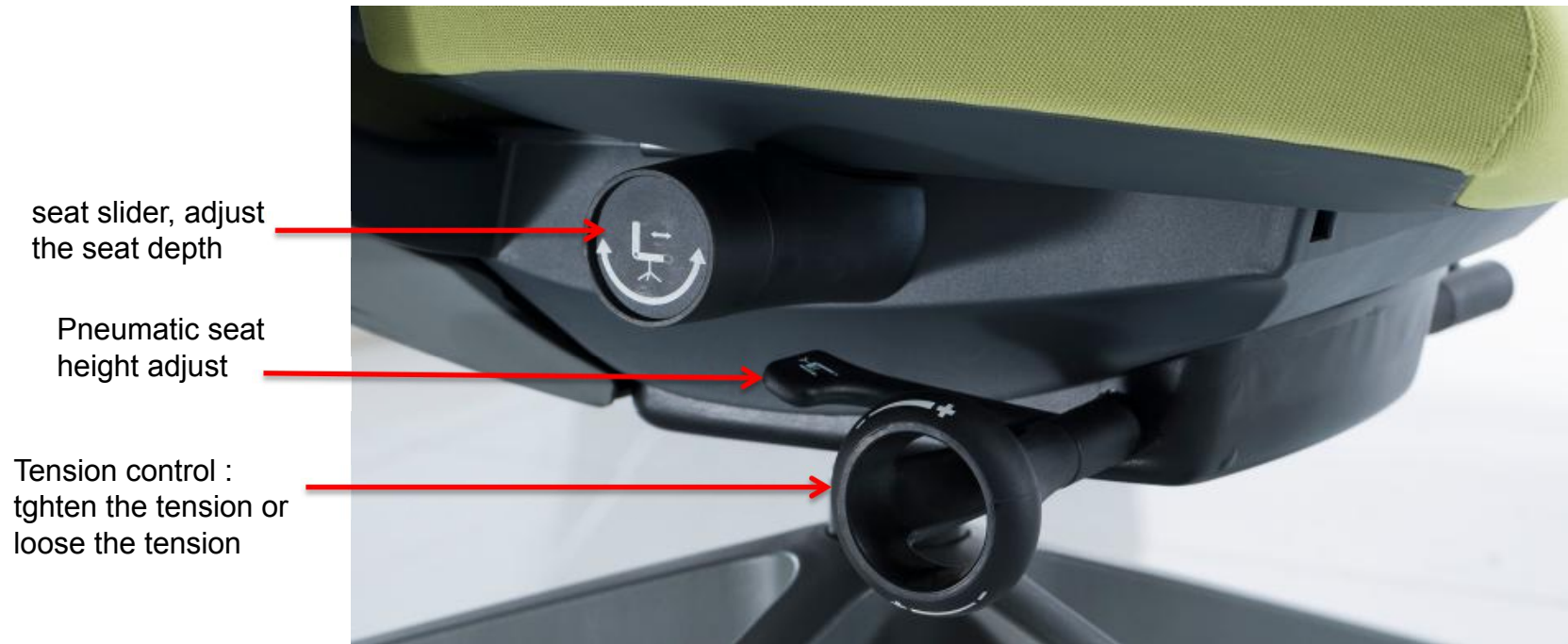
# Function

Attached the manual

cerantola 



# Multi-function mechanism



# Multi-function mechanism



Back tilt-lock control

Back front tilting control

When the back is free / un-locking, tilt the back and rotate the button forward to adjust the back to straight working angle(front tilt).

Tilt the back , revert the botton to the free considition.

When the back is free / un-locking, tilt the back and rotate the button backward to adjust the back to normal "relax" angle.

# Main features

cerantola 



**back front tilt angle & normal angle adjustable**

**flexible lumbar support**

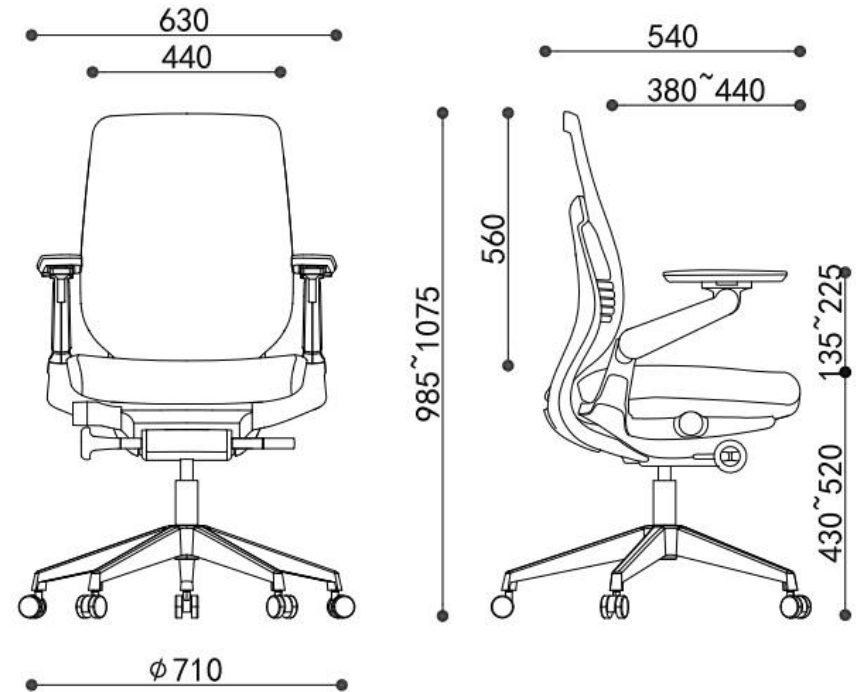
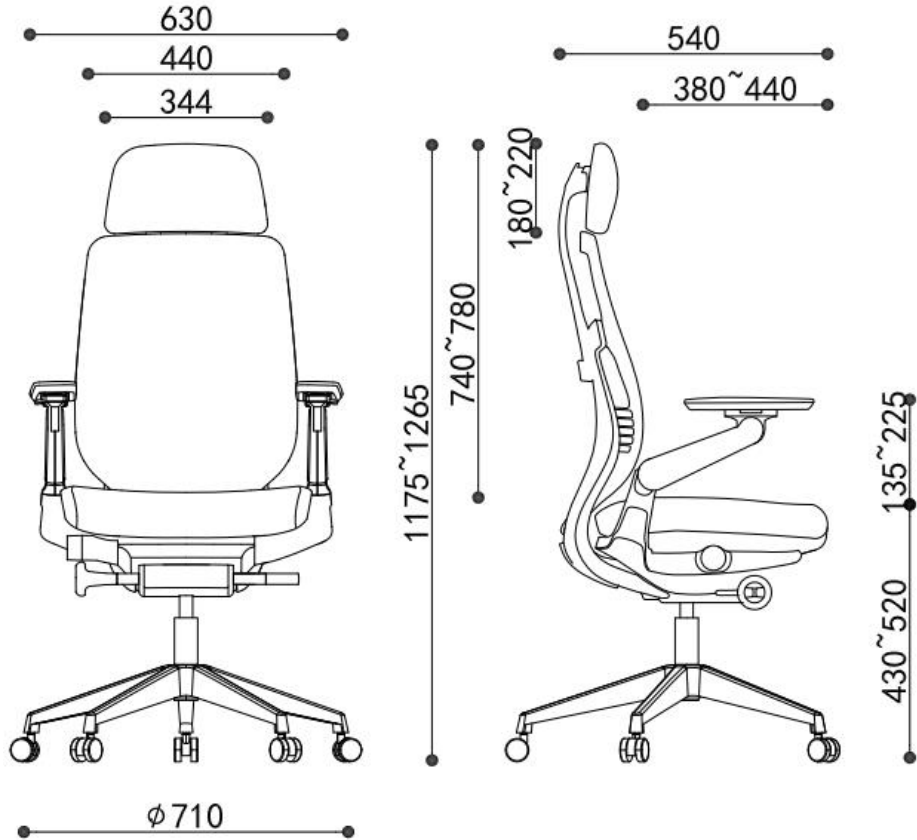
**smart armrest:360 degrees rotatory smart armrest**

**carbon fiber tension spring (new material)**

**PA nylon base (1500kgs load), over BIFMA standard**

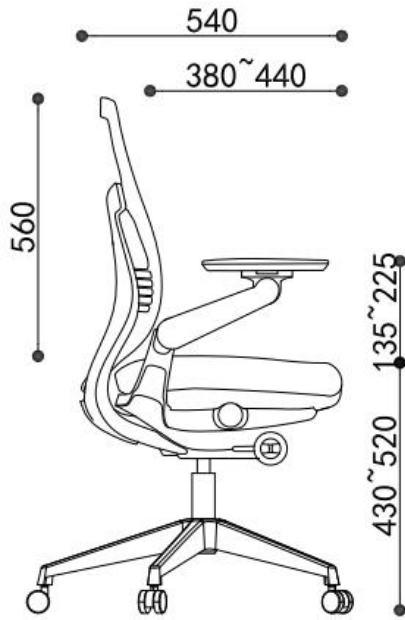
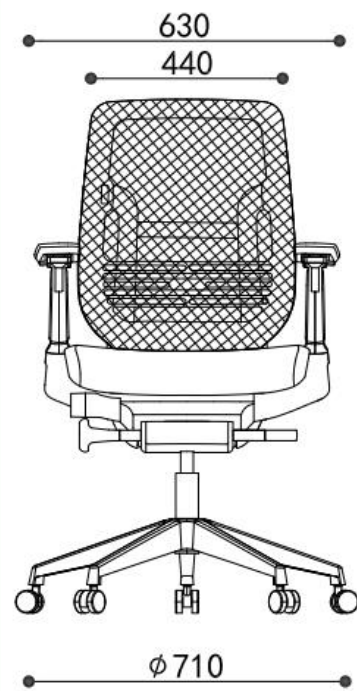
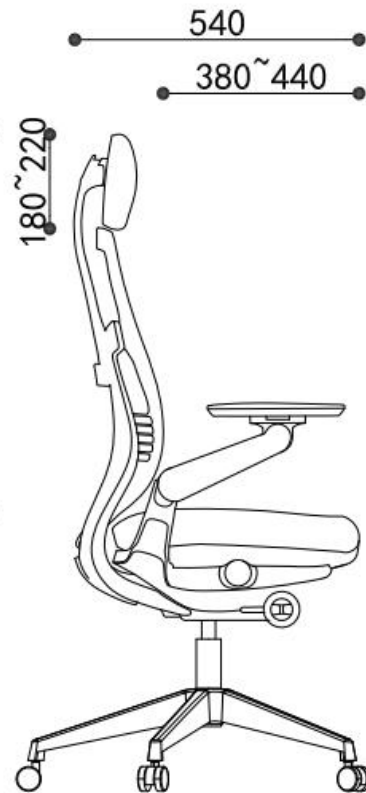
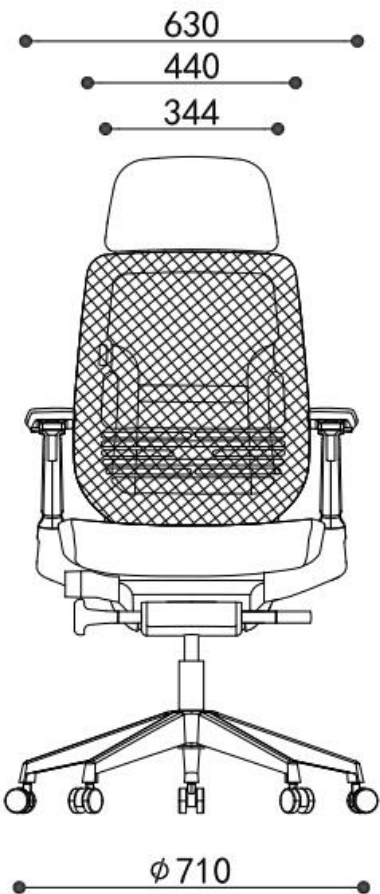
# Specification(mm)

cerantola 



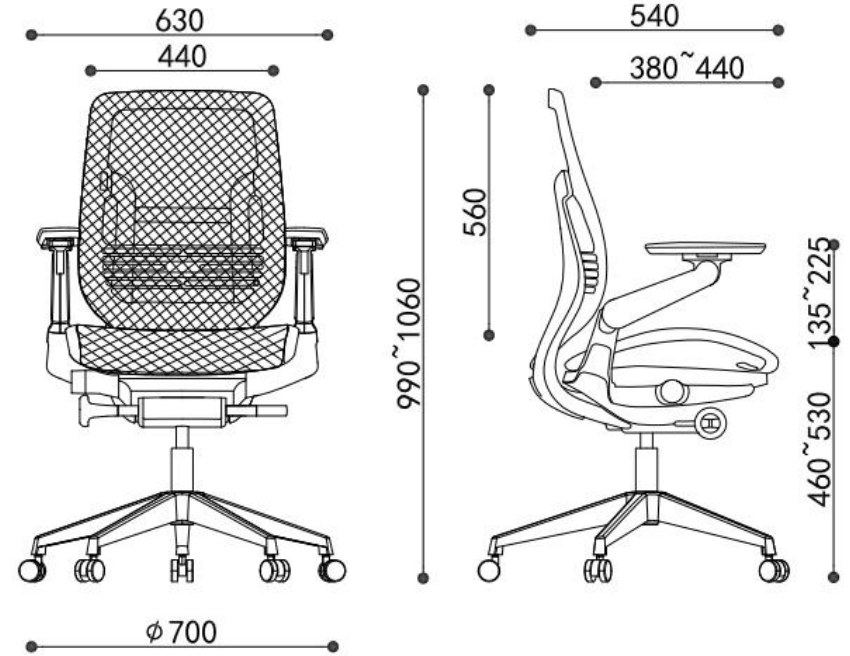
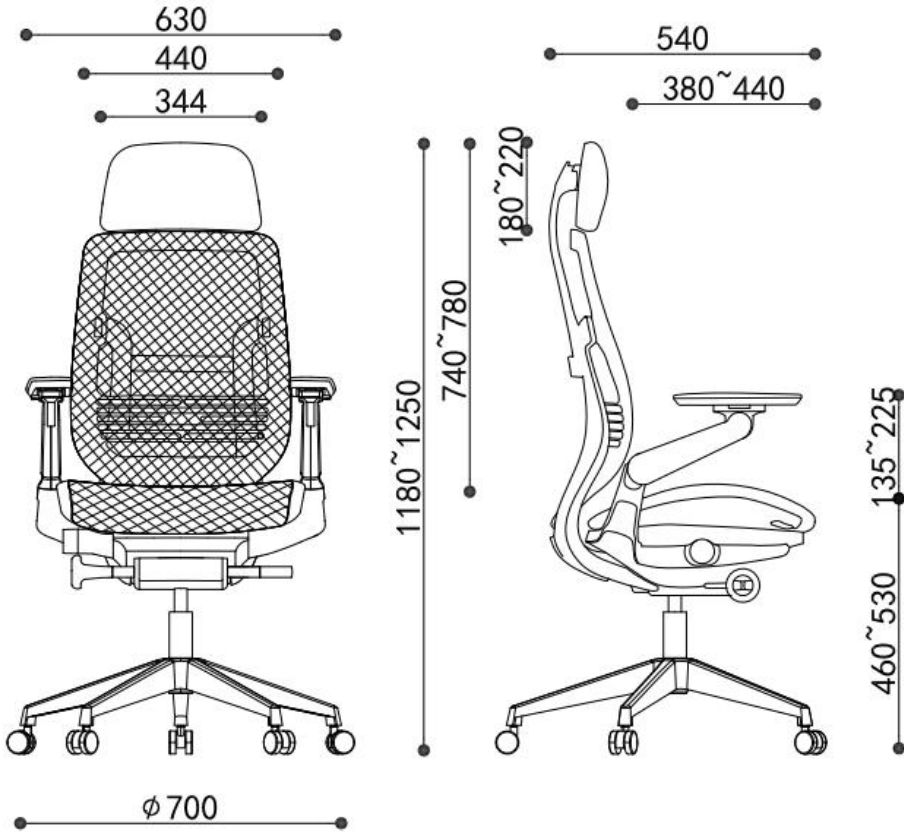
# Specification(mm)

cerantola 



# Specification(mm)

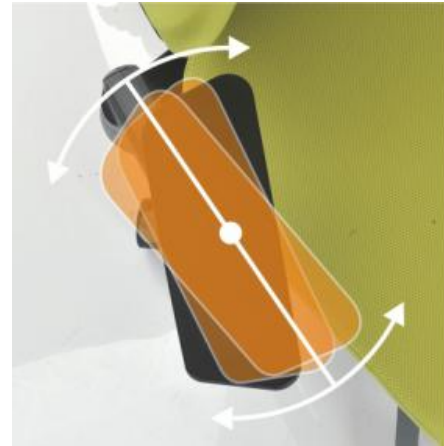
cerantola 



# 360 degree moveable armrest

cerantola 

·arm pad angle adjust & slide forward and backward



·height adjustable arm, width adjustable



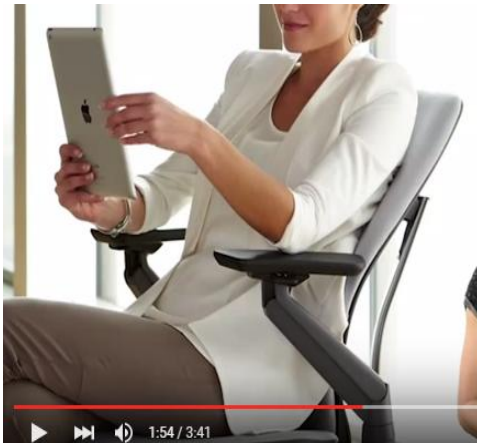
Armrest height(from the seat):135~225mm  
Armrest inner width:300-650mm  
Armrest outer width:490-780mm  
different angle to support your posture

# 360 degree moveable armrest





The smart arm can support your any sitting and working posture



# Flexible lumbar support



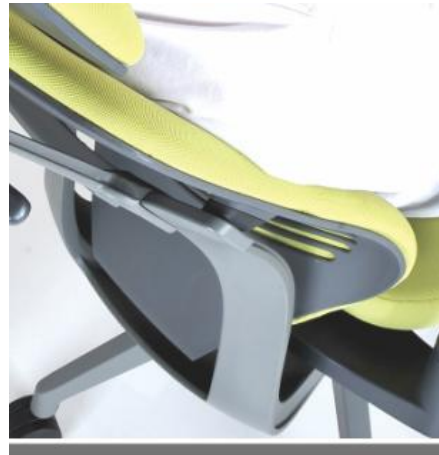
Front tilt angle



Normal angle



back tilt angle



Flexible lumbar support: support your lumbar automatically when back tilting & different sitting posture

cerantola 

# Adjustable back design



1501C-2HF24-Y



The angle of back and seat is adjustable, it help to support the spine perfectly when working.



Multi position lockable tilt, excellently support the lumbar.



The backrest is automatically adjusted when the body move horizontally.

# Adjustable headrest

cerantola 

• up & down adjust

• angle adjust



• tilting flexible

# Chair Families

(High back, Mid back, Visitor chair)



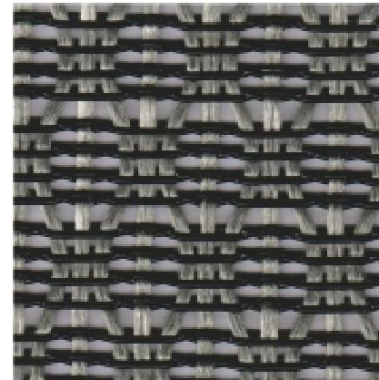
# Mesh color option



Mesh back  
Mesh seat



cerantola 



A-11Grey

# Microfiber leather upholstery







One mould injection PA nylon backrest



Multi-position lockable tilt



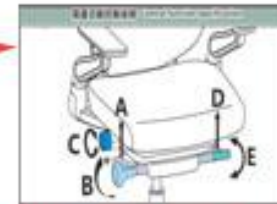
360 degree rotary armrest



Adjustable armrest Pu pad



With seat slider



Control function specification



Pass BIFMA test Gas Lift



PA nylon reinforced Base

